

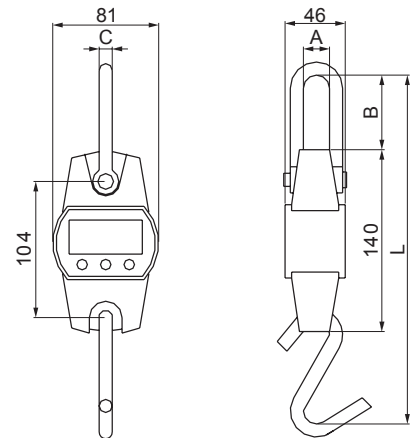
OCSL Series



FEATURES

- Fast resolution switching
- 20mm 5 digits LCD display
- Fixed hook
- Idle mode to maximize the battery life
- HOLD function
- Tare In / Tare Out
- Unit switch: kg / lb / N
- Auto overload alarm at 100%F.S. +9e
- Auto power-off function

Model	OCSL
Type	Mini
Accuracy Class	OIML III
Enclosure	Die-casting Aluminum
Display	20mm LCD with Backlight
Capacity Available	60 / 120 / 250 / 400 / 600 lb
Battery Life	100 Hours
Shackle	Stainless Steel
Hook	Stainless Steel
Battery	3 x AA
Infrared Remote Control	No



Rated Capacity	Division	A	B	C	L	N.W.	G.W.
30kg / 60 lb	0.01kg / 0.02 lb	20mm / 0.79"	70mm / 2.76"	10mm / 0.39"	265mm / 10.43"	540g / 1.2 lb	0.8kg / 1.76 lb
60kg / 120 lb	0.02kg / 0.05 lb	20mm / 0.79"	70mm / 2.76"	10mm / 0.39"	265mm / 10.43"	540g / 1.2 lb	0.8kg / 1.76 lb
120kg / 250 lb	0.05kg / 0.1 lb	20mm / 0.79"	70mm / 2.76"	10mm / 0.39"	265mm / 10.43"	540g / 1.2 lb	0.8kg / 1.76 lb
200kg / 400 lb	0.1kg / 0.2 lb	20mm / 0.79"	70mm / 2.76"	10mm / 0.39"	265mm / 10.43"	540g / 1.2 lb	0.8kg / 1.76 lb
300kg / 600 lb	0.1kg / 0.2 lb	20mm / 0.79"	70mm / 2.76"	10mm / 0.39"	265mm / 10.43"	540g / 1.2 lb	0.8kg / 1.76 lb

*Dimensions and specifications are subject to change without notice.